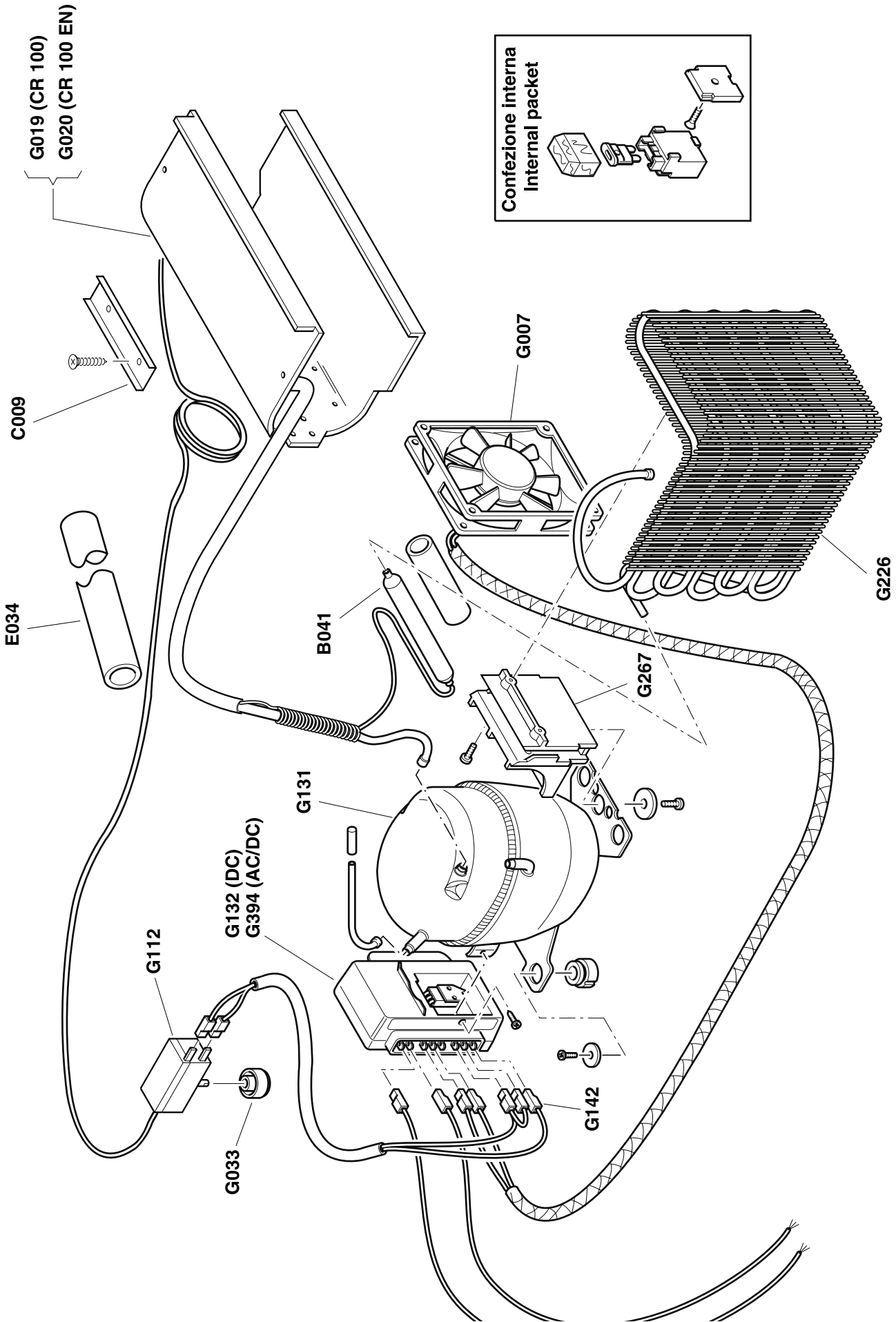




INDEL B P/N	DESCRIPTION
D005	Shim
E162	Bolt
E191	Bolt
F008	Ice Pan
F013	Cabinet Balcony
F014	Door Balcony
F015	Metal Retainer
F017	Grid
F018	Drip Tray
F019	Evaporator Door
F031	Refrigerator Door
F032	Door Panel
F034	Bottles Partition
F044	Balcony Support
F051	Profile
F052	Handle Cap
F068	Bolt
F292	Pivot
F293	Hinge
F294	Foot
F295	Upper Grid
G1620	Handle





INDEL B P/N	DESCRIPTION
B041	Filter
C009	Bracket of Thermostat Bulb
E034	Pipe Protection
G007	Fan
G019 (CR100)	Evaporator
G020 (CR100 EN)	Evaporator
G033	Thermostat Knob
G112	Thermostat
G131	Compressor
G132 (DC)	ECU
G142	Thermostat Connection Wire
G226	Condenser
G267	Condenser Support
G394 (AC/DC)	ECU